

PARTS CATALOG

TK85 Tractor Crawler

Print No. 47739658
6/2014



NEW HOLLAND

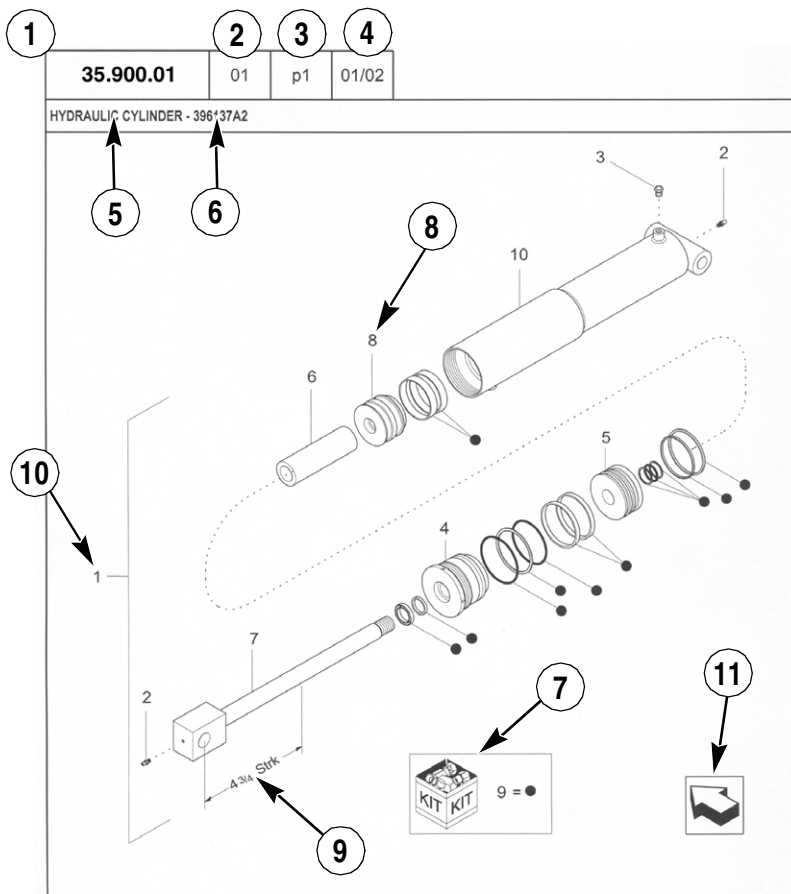
AGRICULTURE

GENERAL INFORMATION

1. Whenever the terms left and right are used, it should be understood to mean from a position facing in direction of travel.
2. Throughout this manual you may find common hardware not illustrated, but listed in the description column. The service part immediately preceding a hardware listing is the part using these particular items for mounting purposes. This hardware is not included with the service part or assembly when ordered as a replacement.
3. The illustrations show typical assemblies plus individual parts but in all cases may not show the exact shape or detail of parts required. However, the purpose for the illustrations is to identify parts performing like functions. Whenever possible illustrations are located at the beginning of each section or immediately adjacent to the applicable text.
4. CNH America LLC is continually striving to improve its products. We must, therefore, reserve the right to make improvements or changes when it becomes practical and possible to do so, without incurring any obligation to make changes or additions to the equipment sold previously.

CNH America LLC, Racine, WI 53404 U.S.A.

How to Use Your Parts Catalog



HYDRAULIC CYLINDER - 396137A2					
REF	FN	PART NUMBER	YR/SN	QTY	DESCRIPTION
1	1	396137A2	BTW 01/85 & 02/02	1	CYLINDER ASSY. 4-3/4 in strk, Inc 2-10
2		31-95	Before 01/85	2	FITTING
2		219-8	From 01/85	2	NIPPLE, LUBE Grease, 1/4 tpr x 17/32
3		{402475A2}		1	BREATHER
4		402474A1		1	CAP CYLINDER END
5		402468A1	BSN JJC0189200	1	PISTON ROD/GLAND
5		145221C3	ASN JJC0189200	1	PISTON
6		402471A1		1	SPACER
7		402473A1		1	ROD, PISTON
8		402469A1		1	PISTON ROD/GLAND
9		402476A1		1	PACKAGE, SEALS
10		NSS		1	NOT SERVICED SEPARAT CASE ASSEMBLY
(1) 08-20					
STANDARD			MODELS		

How to Use Your Parts Catalog

1. Figure Number
2. Sequence code within the Figure Number
3. Page number within the Sequence Code
4. Date of Printing (month / year)
5. Figure Description
6. General information regarding the figure
7. Parts supplied in repair kits per symbol reference
8. Figure call-out of the part number (REF)
9. Technical Specifications relating to the part indicated
10. Figure call-out includes bracketed items, the included items may also be listed in the additional description area
11. Orientation - Arrow indicates front of the machine
12. Footnote - Additional information relating to the part number. In this example, 08-20 equals another figure that this part is shown on.
13. Part Number
 - NSS = Non-serviced parts
 - Bracketed numbers = not available as service parts in this market
14. Not Available as service part in this market
15. YR/SN
 - Year
 - Before 01/85 = Part valid for production January 1985 and before
 - From 01/85 = Part valid for production from January 1985 and after
 - BTW 01/85 & 02/02 = Part valid for machines produced between January 1985 and February 2002.
 - Serial Number (P.I.N.)
 - BSN JJC0268800 = Part valid for serial number JJC0268800 and below
 - ASN JJC0268800 = Part valid for serial number JJC0268800 and above
 - BTW JJC0178000 & JJC0179000 = Part valid for serial numbers between JJC0178000 & JJC0179000
16. Total Quantity of the Part referred to in the page. The quantity can be replaced by the following indications:
 - AR = quantity as required
 - X = as required
17. Part Description
18. Additional description of the part to help confirm identification
19. Figure Notes
20. Model Number(s)

Explanation of Abbreviations

Abbreviation	Meaning
adj	adjustable
amp	ampere
AR	As required
ASN	Serial number and after / P.I.N. and after
barb	barb
blkhd	bulkhead
boss	boss
BSN	before serial number / before P.I.N
BTW	between
cc	cubic centimetre
chain	chain
cl	class
cp pt	cup point
CRS	Chrome Alloy Steel
CST	Carbon Steel
cu yd	cubic yard
deg	degree
dia	diameter
dr type	drive type
dry	dry
fc	face
fc sl	face seal
fem	female
fem PT	female pipe thread
fl	flare
ft	feet (or foot)
gal	gallon(s)
gr	grade
hd	head
hp	horsepower
ID	inside diameter

Abbreviation	Meaning
in	inch(es)
Inc.	includes
inv fl	inverted flare
K	kilo
kg	kilogram
L	litre
lb	pound(s)
lg	long
LH	left hand
LH thd	left hand thread
links	links
M	(prefix) metric thread size
m	metre
male	male
mm	millimetre
NF	National Fine
No.	number
NS	National Super Fine
OD	outside diameter
ohm	electrical unit of resistance
Or	O-ring
orifice	orifice
P	pitch
piece	piece
psi	pounds per square inch
PT	pipe thread
rd	round
rd holes	round holes
RH	right hand
RH thd	right hand thread
rpm	revolutions per minute

Explanation of Abbreviations

Abbreviation	Meaning
sl	self locking
slat	slat
spool	spool
sq	square
SST	Stainless Steel
st	self tapping
stem	stem
strk	stroke
sw	swivel
T	teeth
Teflon	Teflon
thin	thin
thk	thick
tpr	taper

Abbreviation	Meaning
tube	tube
type	type
V	volt(s)
W	watt(s)
way	way
wide	wide
X	as required
yd	yard

Dimensions

Metric and U.S. hardware dimensions do not show the numeric designations of standard coarse threads. A number following a semi colon (;) is the class or grade of hardware. A comma (,) represents the decimal point (.) used in U.S. dimensions.

TABLE OF CONTENTS

05.100.03	01	FILTER & CAPACITIES, TK85
MAIN		MAIN SECTIONS
0.02.1		ENGINE ASSEMBLY AND GASKET KITS
0.04.0	03	ENGINE BLOCK, PLUGS & CYLINDER SLEEVES (TK76-M,TK85-M,TK95M)
0.04.0	04	CYLINDER BLOCK & RELATED PARTS (TK76-M,TK85-M,TK95M)
0.04.2	02	OIL SUMP & RELATED PARTS (TK76-M,TK85-M,TK95M)
0.04.3	01	ENGINE COVERS & GASKETS, FRONT
0.04.3	02	ENGINE COVERS & GASKETS, REAR
0.06.0	03	CYLINDER HEAD, INJECTOR SLEEVE & INTAKE VALVE GUIDE (TK76-M,TK85-M,TK95M)
0.06.0	04	ROCKER ARM, COVER & VALVES (TK76-M,TK85-M,TK95M)
0.07.1		INTAKE MANIFOLD
0.07.6	02	EXHAUST MANIFOLD (TK76-M,TK85-M,TK95M)
0.08.0	02	CRANKSHAFT & FLYWHEEL (TK76-M,TK85-M,TK95M)
0.08.1	02	CONNECTING ROD (TK76-M,TK85-M,TK95M)
0.08.2	02	PISTONS (TK76-M,TK85-M,TK95M)
0.10.0		CAMSHAFT & DRIVE GEARS
0.10.5	01	DYNAMIC BALANCER, GEARS & SHAFTS (TK76-M,TK85-M,TK95M)
0.10.5	02	DYNAMIC BALANCER, GEARS & SHAFTS (TK76-M,TK85-M,TK95M)
0.14.0	01	FUEL SYSTEM, INJECTORS & FUEL LINES
0.14.0	02	FUEL SYSTEM, FUEL INJECTION PUMP
0.14.0	03	FUEL INJECTION PUMP DRIVE GEARS & TIMING COVER
0.14.0	04	FUEL SYSTEM - INJECTOR
0.14.0/ E	01	INJECTION PUMP, FUEL SHUT - OFF SOLENOID (TK85-M)
0.14.0/ E	02	INJECTION PUMP, HOUSING & DRIVE SHAFT (TK85-M)
0.14.0/ E	03	INJECTION PUMP, SPINDLE & VALVE (TK85-M)
0.14.0/ E	04	INJECTION PUMP, TOP COVER & ADJUSTMENT SCREW (TK85-M)
0.14.0/ E	05	INJECTION PUMP, GOVERNOR (TK85-M)
0.14.0/ F	01	INJECTION PUMP, FUEL SHUT - OFF SOLENOID (TK85-M) N.A.
0.14.0/ F	02	INJECTION PUMP, HOUSING & DRIVE SHAFT (TK85-M) N.A.
0.14.0/ F	03	INJECTION PUMP, SPINDLE & VALVE (TK85-M) N.A.
0.14.0/ F	04	INJECTION PUMP, TOP COVER & ADJUSTMENT SCREW (TK85-M) N.A.
0.14.0/ F	05	INJECTION PUMP, GOVERNOR (TK85-M) N.A.
0.14.0/ H		INJECTOR BREAKDOWN (ASY P/N 4791124)

TABLE OF CONTENTS

0.14.0/ W		INJECTION PUMP, DRIVE SHAFT DISC SHIM
0.14.0/ Y		INJECTION PUMP, GOVERNOR WASHER
0.20.3	01	FUEL LINES - FUEL PUMP & FILTER LINES (TK65V-F,TK76-M,TK85-M)
0.20.3	04	(VAR.130) SEDIMENTER FUEL FILTER & RELATED PARTS (TK76-M,TK85-M,TK95M)
0.30.0	01	PUMP, ENGINE OIL & RELATED PARTS
0.30.2	01	FILTER, ENGINE OIL - OIL LINES - OIL LEVEL GAUGE - PIPING - OIL COOLER
0.30.2	03	FILTER, ENGINE OIL - OIL LINES - OIL LEVEL GAUGE - PIPING - OIL COOLER
0.32.0		WATER PUMP, SUPPORT & THERMOSTAT
0.32.0/ A		WATER PUMP BREAKDOWN (ASY P/N 99454833)
0.34.7		FAN, PULLEY & BELT
0.35.0		BELT PULLEY DRIVE & COVER
0.36.0	02	STARTER ATTACHING GROUP (ASY P/N 500338952) (TK76-M,TK85-M,TK95M)
0.40.0		ALTERNATOR MOUNTING BRACKETS
0.40.0/ A		ALTERNATOR BREAKDOWN (ASY P/N 4808498)
0.42.0	01	TACHOMETER DRIVE & RELATED PARTS
0.42.0	02	TACHOMETER DRIVE & RELATED PARTS
SEC. 01		ENGINE
1.04.0/ 1	01	FUEL TANK & RELATED PARTS (TK76-M,TK85-M,TK95M)
1.04.0/ 1	02	FUEL TANK - FUEL, LINES (TK76-M,TK85-M,TK95M)
1.15.0	01	HORIZONTAL MUFFLER
1.15.0	03	(VAR.199) SELF - CLEANING FILTER / HORIZONTAL MUFFLER & RELATED PARTS
1.15.0	04	HORIZONTAL MUFFLER SHIELD
1.15.0	05	(VAR.151) VERTICAL SILENCER W / DUST EJECTOR
1.17.0	01	RADIATOR & RELATED PARTS
1.17.0	02	RADIATOR & RELATED PARTS
1.17.0	03	(VAR.199) SELF - CLEANING FILTER / RADIATOR & RELATED PARTS
1.17.2		RADIATOR HOSES
1.19.1	01	DRY AIR CLEANER & RELATED PARTS
1.19.1	02	(VAR.199) SELF - CLEANING FILTER / RELATED PARTS
1.19.1	03	(VAR.199) SELF - CLEANING FILTER & RELATED PARTS(TK76-M,TK85-M)
1.19.7	02	AIR CLEANER & HOSES (TK76-M,TK85-M,TK95M)

TABLE OF CONTENTS

1.19.8		THERMOSTART
SEC. 02		ENGINE EQUIP.
1.21.0	01	GEARBOX & RELATED PARTS
1.21.0	02	CLUTCH HOUSING & RELATED PARTS
1.21.1		SUPPORT FOR FRONT AXLE, WEIGHT CARRIER, FRONT TOW HOOK
1.25.0		CLUTCH & RELATED PARTS
1.25.0/ B	01	CLUTCH BREAKDOWN (P/N 5153905) (TK75M,TK76-M,TK85-M,TK95M)
1.25.0/ B	02	CLUTCH BREAKDOWN (P/N 5153905) (TK75M,TK76-M,TK85-M,TK95M)
1.25.0/ B	03	CLUTCH BREAKDOWN (P/N 5153905) (TK75M,TK76-M,TK85-M,TK95M)
1.26.0		CLUTCH CONTROLS, CLUTCH FORK
1.26.5		POWER TAKE - OFF CLUTCH CONTROL, CLUTCH FORK
1.28.1	01	SHAFT AND DRIVING GEARS - REVERSE TRANSMISSION GEAR (8+8)
1.28.1	02	DRIVEN GEARS (8+8)
1.28.1	03	REAR SHIMS FOR BEVEL PINION ADJUSTMENT (8 + 8)
1.28.1	04	FRONT SHIMS FOR BEVEL PINION ADJUSTMENT (8 + 8)
1.28.1	05	TRANSMISSION GEARS (8 + 8) - MECHANIC REVERSER GEAR
1.28.1/ 1	01	(VAR.111) 16 + 8 CREEPER W/ 8 + 4 TRANSMISSION
1.28.1/ 1	02	(VAR.111) 16 + 8 CREEPER W/ 8 + 4 TRANSMISSION
1.28.1/ 1	03	(VAR.111) 16 + 8 CREEPER W/ 8 + 4 TRANSMISSION - GEARS FOR ADDITIONAL REDUCTION UNIT
1.29.0	01	GEARBOX INNER CONTROLS, RODS AND FORKS
1.29.0	02	(VAR.111) 16 + 8 CREEPER W/ 8 + 4 TRANSMISSION/GEARBOX INNER CONTROLS, RODS AND FORKS
1.29.1/ 1	02	REVERSE GEAR CLUTCH CONTROLS, CLUTCH FORK (TK76-M,TK85- M,TK95M)
1.39.3/ A		STEERING DIRECTION SERVOCONTROL - HYDRAULIC PUMP BREAKDOWN
1.39.3/ B		STEERING DIRECTION SERVOCONTROL - HYDRAULIC OIL RESERVOIR BREAKDOWN
1.39.3/ D		STEERING DIRECTION SERVOCONTROL - MANIPULATOR BREAKDOWN (TK75M,TK76-M,TK85-M,TK95M)
1.39.3/ 1	01	STEERING DIRECTION SERVOCONTROL, PIPES, HYDRAULIC PUMP, OIL TANK (TK76-M,TK85-M,TK95M)
1.39.3/ 1	02	STEERING DIRECTION SERVOCONTROL & RELATED PARTS (TK76- M,TK85-M,TK95M)
1.39.3/ 1	03	STEERING DIRECTION SERVOCONTROL,PIPE BRACKETS (TK76- M,TK85-M,TK95M)
1.39.3/ 1	04	STEERING DIRECTION SERVOCONTROL, JOY STICK AND LEVER, OIL TANK BRACKET (TK76-M,TK85-M,TK95M)
SEC. 03		TRANSMISSION

TABLE OF CONTENTS

1.61.32	02	REAR AXLE, STEERING CLUTCH CONTROL CYLINDERS (TK75M,TK76-M,TK85-M,TK95M)
1.61.32/ 1		CENTRAL REDUCTION GEARS / REAR BEVEL GEAR ASSY
1.61.37	02	BRAKE ACTUATOR AND BRAKE DISCS (TK75M,TK76-M,TK85-M,TK95M)
1.61.37/ A		BRAKE ACTUATING BREAKDOWN (TK75M,TK76-M,TK85-M,TK95M)
1.61.37/ 2		BRAKE PEDAL LINKAGE
1.61.37/ 5		BRAKES - HYDRAULIC ACTUATOR AND PIPES (TK75M,TK76-M,TK85-M,TK95M)
1.61.37/ 5A		RH HYDRAULIC ACTUATOR BREAKDOWN (TK75M,TK76-M,TK85-M,TK95M)
1.61.37/ 5B		LH HYDRAULIC ACTUATOR BREAKDOWN (TK75M,TK76-M,TK85-M,TK95M)
1.61.39	02	STEERING CLUTCH, DISC DRUMS AND SHAFT SIDE REDUCTION GEARS (TK75M,TK76-M,TK85-M,TK95M)
1.61.48	02	CASES AND COVERS SIDE REDUCTION UNITS (TK75M,TK76-M,TK85-M,TK95M)
1.61.48/ 1		FINAL DRIVE, GEARS AND SHAFTS
SEC. 05		REAR AXLE
1.74.1	01	BATTERY FASTENER, SUPPORT PLATES, COVER AND INSULATION
1.74.1	02	(VAR.712) BATTERY FASTENER, COVER AND TIE - RODS - N.A. (TK76-M,TK85-M)
1.75.0		CONSOLE ELECTRICAL CONTROLS, LIGHT SWITCHES, START KEY
1.75.1		INSTRUMENT CLUSTER, HORN, REAR PLUG
1.75.1/A		INSTRUMENT CLUSTER BREAKDOWN
1.75.3		BATTERY CABLES - BATTERY
1.75.4	01	ELECTRICAL SYSTEM, HARNESS FOR FRONT AND REAR LIGHTS
1.75.4	02	ELECTRICAL SYSTEM, MAIN HARNESS ASSY
1.75.4	03	(VAR.773) ANGULAR WORK LIGHTS & RELATED PARTS (FRONT HOOD) (TK76-M,TK85-M,TK95M)
1.75.6	01	FRONT HEADLAMPS
1.75.6	02	REAR WORKLAMPS, REAR LAMPS
1.75.6	03	SLOW MOVING VEHICLE EMBLEM KIT (TK76-M,TK85-M) N.A.
SEC. 06		ELECTRICAL
1.56.0	03	FRONT SUSPENSION (TK76-M,TK85-M)
1.56.1		FRONT TRACK HOLDER
1.56.3		CARRIAGE COUPLING GUIDE SUPPORTS
SEC. 04		FRONT AXLE
1.80.1	01	540 / 750 RPM POWER TAKE - OFF, COVERS, SHAFTS AND GEARS

TABLE OF CONTENTS

1.80.1	02	540 / 750 RPM POWER TAKE-OFF, SHAFTS AND GEARS, REAR GUARD
1.80.1/ 1	01	(VAR.805) POWER TAKE-OFF 540/1000 RPM W/ GUARD & RELATED PARTS (TK76-M,TK85-M,TK95M)
1.80.1/ 1	02	(VAR.805) POWER TAKE-OFF 540/1000 RPM W/GUARD & RELATED PARTS (TK76-M,TK85-M,TK95M)
1.82.0		LIFTER, HOUSING AND COVERS
1.82.1	01	HYDRAULIC LIFT PIPES, OIL FILTER AND GUARD (TK65V-F,TK75V-F-M,TK76-M,TK85-M)
1.82.1	02	LIFTER, LINES & RELATED PARTS (TK65V-F,TK75V-F-M,TK76-M,TK85-M)
1.82.3		LIFTER PUMP & RELATED PARTS
1.82.3/ B		LIFTER PUMP BREAKDOWN (TK76-M,TK85-M)
1.82.4	01	LIFTER DISTRIBUTOR AND VALVES BREAKDOWN
1.82.4	02	LIFTER DISTRIBUTOR AND VALVES BREAKDOWN
1.82.5/ 1	01	HYDRAULIC LIFT OUTER AND INNER CONTROLS (TK76-M,TK85-M,TK95M)
1.82.5/ 1	02	HYDRAULIC LIFT OUTER AND INNER CONTROLS (TK76-M,TK85-M,TK95M)
1.82.5/ 1	03	HYDRAULIC LIFT OUTER CONTROLS, "LIFT - O - MATIC" (TK76-M,TK85-M,TK95M)
1.82.6		HYDRAULIC LIFT INNER CYLINDER
1.82.7	02	REMOTE VALVES, FIXING BRACKETS AND PIPES (TK76-M,TK85-M,TK95M)
1.82.7	04	SECTIONS REMOTE VALVES (TK76-M,TK85-M,TK95M)
1.82.7	05	REMOTE VALVES, OUTER CONTROL LEVERS
1.82.7	07	REMOTE VALVES, PIPES HYDRAULIC LIFT (TK76-M,TK85-M,TK95M)
1.82.7/ A		REMOTE VALVE SECTION BREAKDOWN (P/N 5186412)
1.82.7/ B		REMOTE VALVE SECTION BREAKDOWN (P/N 5154669)
1.82.7/ C	01	REMOTE VALVE SECTION BREAKDOWN (P/N 5186413)
1.82.7/ C	02	REMOTE VALVE SECTION BREAKDOWN (P/N 5186413)
1.82.7/ 2	01	(VAR.392) 4 REMOTE VALVES, FIXING BRACKETS AND PIPES (TK76-M,TK85-M,TK95M)
1.82.7/ 2	02	(VAR.392) 4 REMOTE VALVES, SECTIONS REMOTE VALVES (TK76-M,TK85-M,TK95M)
1.82.7/ 2	03	(VAR.392) 4 REMOTE VALVES, OUTER CONTROL LEVERS (TK76-M,TK85-M,TK95M)
1.82.7/ 2	04	(VAR.392) 4 REMOTE VALVES, PIPES HYDRAULIC LIFT (TK76-M,TK85-M,TK95M)
1.82.7/ 4		(VAR.393) 4TH REMOTE VALVE, FIXING BRACKETS AND PIPES (TK76-M,TK85-M,TK95M)
1.82.7/ 5		(VAR.396) 5TH REMOTE VALVE, FIXING BRACKETS AND PIPES (TK76-M,TK85-M,TK95M)

TABLE OF CONTENTS

1.82.7/ 7A		(VAR.397/1A) FLOW - RATE REGULATOR BREAKDOWN (P/N 5174734)
1.82.7/ 8	01	(VAR.882) 4 REMOTE VALVES W/ FLOW - RATE REGULATOR, FIXING BRACKETS AND PIPES (TK76-M,TK85-M,TK95M)
1.82.7/ 8	02	(VAR.882) 4 REMOTE VALVES W / FLOW - RATE REGULATOR, SECTIONS REMOTE VALVES (TK76-M,TK85-M,TK95M)
1.82.7/ 8	03	(VAR.882) 4 REMOTE VALVES W / FLOW - RATE REGULATOR, OUTER CONTROL LEVERS (TK76-M,TK85-M,TK95M)
1.82.7/ 8	04	(VAR.882) 4 REMOTE VALVES W / FLOW - RATE REGULATOR, PIPES HYDRAULIC LIFT (TK76-M,TK85-M,TK95M)
1.82.7/ 9		(VAR.730) QUICK - COUPLING, HYD., MALE (PUSH - PULL)
1.82.8	01	REAR TIE - ROD LOCK (HYDRAULIC LIFT)
1.82.8	02	HYDRAULIC LIFT, LIFT ARMS AND CONNECTING SHAFT
SEC. 07		HYDRAULICS
1.83.0/ 1	01	UPPER HOOD AND FRONT GRILLE (TK76-M,TK85-M,TK95M)
1.83.0/ 1	02	HOOD LOCKING / UNLOCKING SYSTEM (TK76-M,TK85-M,TK95M)
1.83.0/ 1	03	HOOD LOCKING / UNLOCKING SYSTEM (TK76-M,TK85-M,TK95M)
1.83.0/ 1	04	UPPER HOOD HINGES (TK76-M,TK85-M,TK95M)
1.83.0/ 1	05	HOOD, SIDE AIR GRIDS (TK76-M,TK85-M,TK95M)
1.87.0/ 1	01	SIDE FENDERS AND MOUNTING BRACKETS, BOARDS (TK76-M,TK85-M,TK95M)
1.87.0/ 1	02	FENDERS, REMOTE CONTROL LEVER BOX AND RELEVANT COMPONENTS (TK76-M,TK85-M,TK95M)
1.87.7	02	SAFETY FRAME & RELATED PARTS (TK76-M,TK85-M,TK95M)
1.87.7	03	(VAR.878) ROPS / MIRROR, REAR-VIEW & RELATED PARTS
1.87.7	04	SAFETY FRAME - HEAT GUARDS
SEC. 08		SHEET METAL
1.89.0	02	DRAWBAR & RELATED PARTS (TK76,TK85)
1.89.6	03	LIFTING COUPLING, LIFT ARMS WITH FIXED END PIECES (TK76-M,TK85-M,TK95M)
1.89.6	04	IMPLEMENT COUPLING, SPRAG AND ANTI-SHAKE CHAINS (TK76-M,TK85-M,TK95M)
1.89.6/ 1	01	(VAR.922) IMPLEMENT COUPLING, LIFT ARMS W/QUICK RELEASE END PIECE (TK76-M,TK85-M,TK95M)
1.89.6/ 1	02	(VAR.922) IMPL.COUPLING, SPRAG W/QUICK RELEASE END PIECES & ANTI-SHAKE CHAINS (TK76-M,TK85-M,TK95M)
1.89.6/ 1A		(VAR.922) 3 - POINT HITCH W/QUICK ATTACH ENDS - BREAKDOWN (5189331 & 5181564) (TK76-M,TK85-M,TK95M)
SEC. 09		LINKAGE
1.87.7/01	01	(VAR.857) ROOF
1.87.7/01	02	(VAR.857) ROOF
1.90.5		BOX,TOOL

TABLE OF CONTENTS

1.92.10		THROTTLE CONTROL LINKAGE & RELATED PARTS
1.92.26		CLUTCH CONTROLS, CLUTCH LEVER
1.92.265		POWER TAKE - OFF CLUTCH CONTROL, CLUTCH LEVER
1.92.291	01	GEARBOX OUTER CONTROLS, CLUTCH LEVERS
1.92.291	02	(VAR.111) 16 + 8 CREEPER W/ 8 + 4 TRANSMISSION / GEARBOX OUTER CONTROLS, CLUTCH LEVERS
1.92.2911	02	REVERSE GEAR CLUTCH CONTROLS, CLUTCH LEVER (TK76-M,TK85- M,TK95M)
1.92.373		BRAKE PEDALS & RELATED PARTS
1.92.374	01	HANDBRAKE CONTROL & RELATED PARTS - C4826
1.92.374	02	HANDBRAKE CONTROL & RELATED PARTS - D4826
1.92.802		POWER TAKE - OFF CONTROL, LEVER AND COUPLING HOSE
1.92.84	01	CONSOLE TRIM AND MOUNTING PLATE
1.92.84	02	FRONT SPARK ARRESTER AND CONSOLE SIDE GASKETS
1.92.85	02	DRIVER'S SEAT, ARMRESTS AND MOUNTING PLATES (TK76-M,TK85- M,TK95M)
1.92.85	03	(VAR.746-956) DELUXE SEAT WITH SAFETY SWITCH BREAKDOWN (TK76-M,TK85-M,TK95M)
1.92.85/ A		SEAT, DRIVER BREAKDOWN (ASY P/N 5186672)
1.92.87		SIDE AND MIDDLE PLASTIC TRIMS AT THE DRIVER'S SEAT
1.98.996		(VAR.996) SET OF TOOLS
SEC. 10		DRIVER'S COMPARTMENT
1.99.50		DRIVE WHEEL AND CARRIAGE COUPLING SHAFT
1.99.50/ 1	02	CARRIAGES AND LOWER ROLLERS FOR CHAIN SLIDE MOVEMENT (TK75F-M,TK76-M,TK85-M,TK95M)
1.99.50/ 1D		TRACKS ROLLERS BREAKDOWN (ASY P/N 5193566)(TK76-M,TK85-M)
1.99.50/ 1F		TRACKS ROLLERS BREAKDOWN (ASY P/N 5193567)(TK65V-F,TK75V- F-M,TK76-M,TK85-M)
1.99.50/ 2C	01	TRACK TIGHTENER, IDLE WHEEL AND RELEVANT PIN WITH GASKETS(TK76-TK76M-TK85-TK85M)
1.99.50/ 2C	02	TRACK TIGHTENER, IDLE WHEEL FORK AND HYDRAULIC ADJUSTMENT CYLINDER(TK76-TK76M-TK85-TK85M)
1.99.50/ 3	03	STD CHAINS, LINKS WITH PINS AND PADS (TK85-M)
1.99.50/ 3D		(VAR.508/2) TRACK SHOE MM.350 (LUBRIFIED TRACK CHAIN MM.140) & RELATED PARTS(TK85)
1.99.50/ 3I		(VAR.532/1) TRACK SHOE MM.350 (TRACK,ASSY MM.140) & RELATED PARTS(TK85)
1.99.50/ 4E		(VAR.594) STREET PLATES & RELATED PARTS FOR MM.310 TRACK SHOES(TK75F,TK76,TK85)
1.99.50/ 4F		(VAR.595) STREET PLATES & RELATED PARTS FOR MM.350 TRACK SHOES(TK75M,TK76-M,TK85)

TABLE OF CONTENTS

1.99.50/ 5	04	TRACK GUARDS & RELATED PARTS (TK85-M)
1.99.50/ 7		CHAIN HOLDING MIDDLE UPPER ROLLER
1.99.50/ 7C		CHAIN HOLDING MIDDLE UPPER ROLLER BREAKDOWN(ASY P/N 5193285)(TK76-M,TK85-M,TK95M)
SEC. 11		TRACTION
1.98.0	01	WARNING INSTRUCTION
1.98.0	02	WARNING INSTRUCTION
1.98.0	03	WARNING INSTRUCTION
1.98.0/1	01	WARNING INSTRUCTION - N.A. (TK76-M,TK85-M)
1.98.0/1	02	WARNING INSTRUCTION - N.A. (TK76-M,TK85-M)
1.98.0/1	03	WARNING INSTRUCTION - N.A. (TK76-M,TK85-M)
1.98.2	01	DECALS MODELS IDENTIFICATION - C4800
1.98.2	02	DECALS MODELS IDENTIFICATION - D4800

SECTION INDEX

GENERAL

05.100.03	01	FILTER & CAPACITIES, TK85
MAIN		MAIN SECTIONS

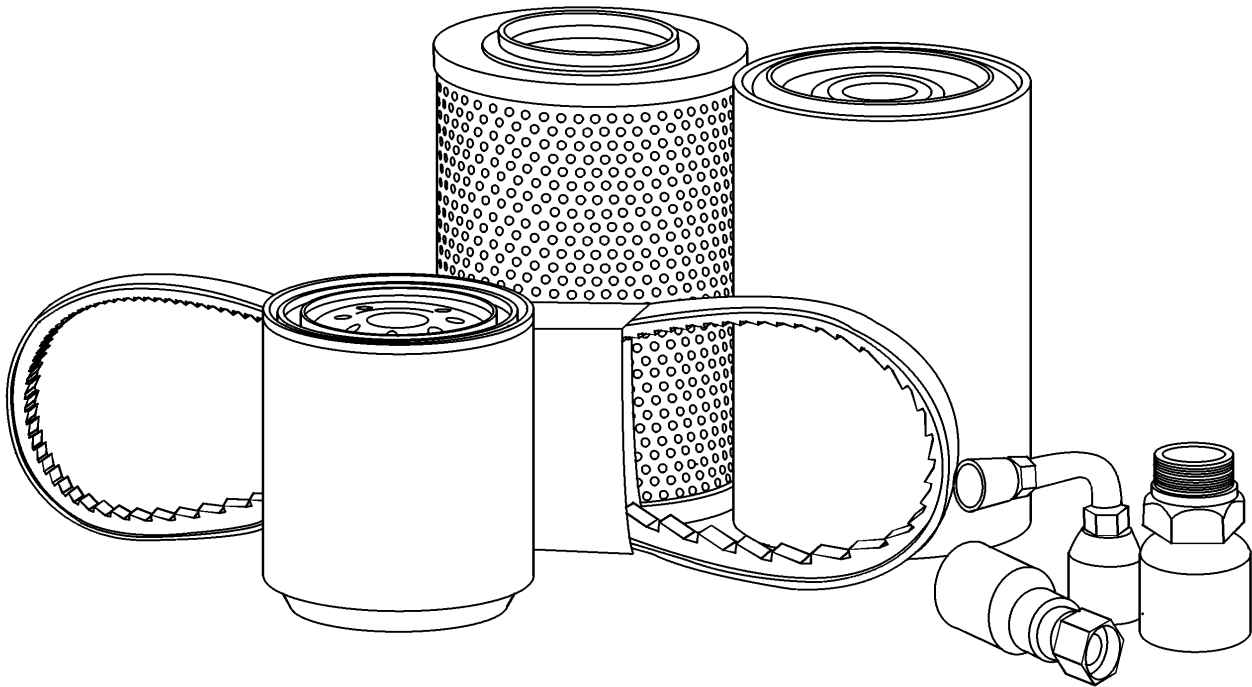
05.100.03

01

p1

6/2014

FILTER & CAPACITIES, TK85

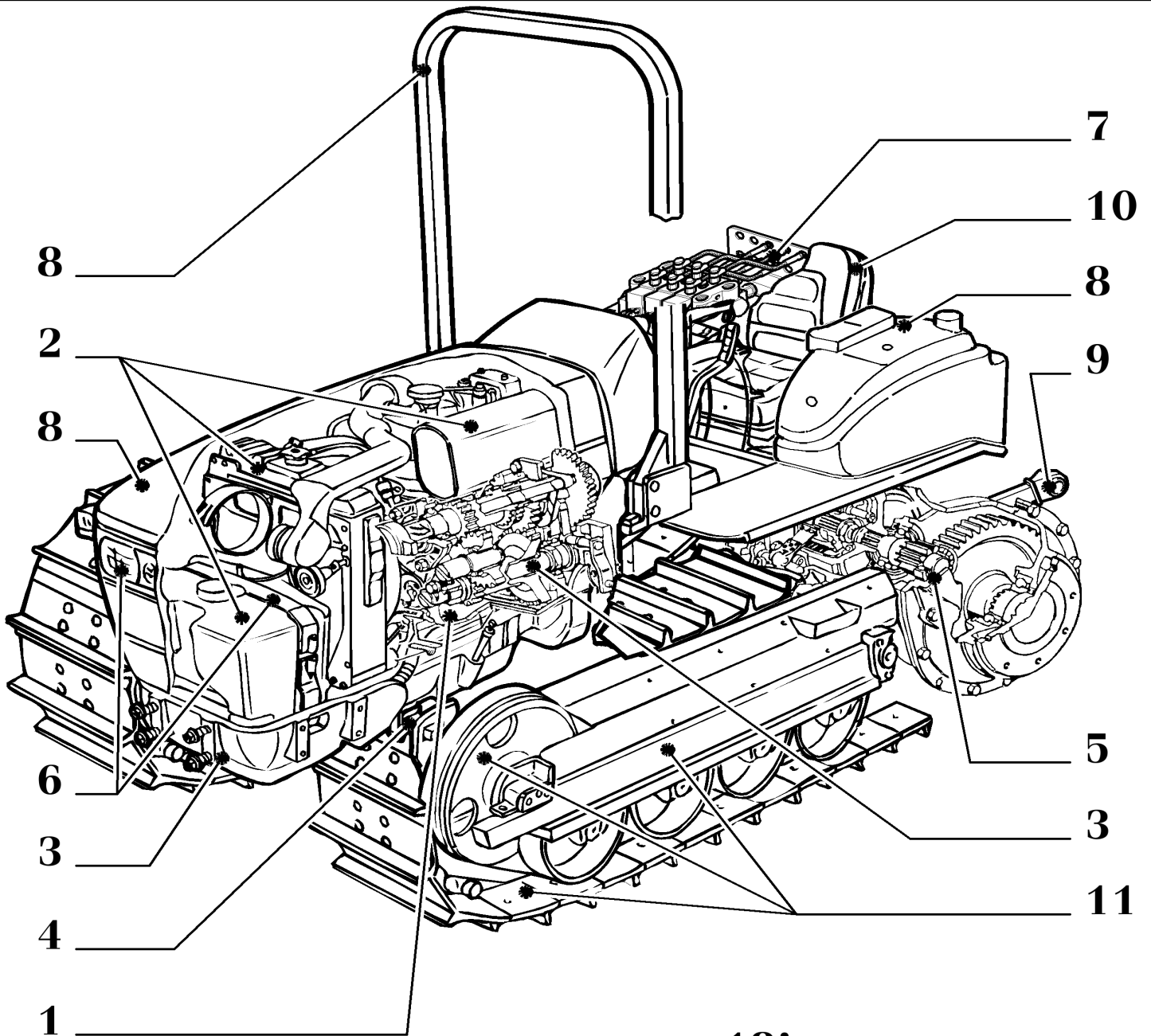


FILTER & CAPACITIES, TK85

REF FN	PART NUMBER	YR/SN	QTY DESCRIPTION
*	CNH XHD COOLANT		ANTIFREEZE Coolant, 3.45-Gal (13.1L)
1	47135703		1 ENGINE OIL FILTER
*	M-GOLD SAE15W40		OIL Engine, 15W40 3-Gal (11.4L)
2	1930825		1 AIR FILTER Main Primary
3	87704249		1 AIR FILTER Primary
4	86982523		1 AIR FILTER Secondary Self Cleaning
5	71467925		1 FILTER Air Engine
6	1930825		1 AIR FILTER Main Engine
7	1909130		1 HYDRAULIC OIL FILTER Spin On
8	1909143		1 HYDRAULIC OIL FILTER Transmission
*	MULTI G 134		OIL Rear Axle & Transmission, 134D 10.3-Gal (39L)
*	HYPOIDE 80W90L		OIL Rear Axle & Transmission, Final Drive Each 80W90 3.7-QT (3.5L)
9	84214564		1 FUEL FILTER Spin On
10	{842179531}		1 Water Separator Spin On
11	1909143		1 HYDRAULIC OIL FILTER Power Steering
*	M-GOLD SAE10W30		OIL Power Steering, Steering Clutch 10W30 1.5-QT (1.4L)

TK85

MAIN SECTIONS



18: V A R I A N T I
V A R I A N T I
V A R I A N T E
V A R I A N T E
V A R I A N T E
V A R I A N T E
U I T R U S T I
V A R I A N T E

**Thanks very much for your reading,
Want to get more information,
Please click here, Then get the complete
manual**

JustClickHere 

NOTE:

**If there is no response to click on the link above,
please download the PDF document first, and then
click on it.**

**Have any questions please write to me:
admin@servicemanualperfect.com**